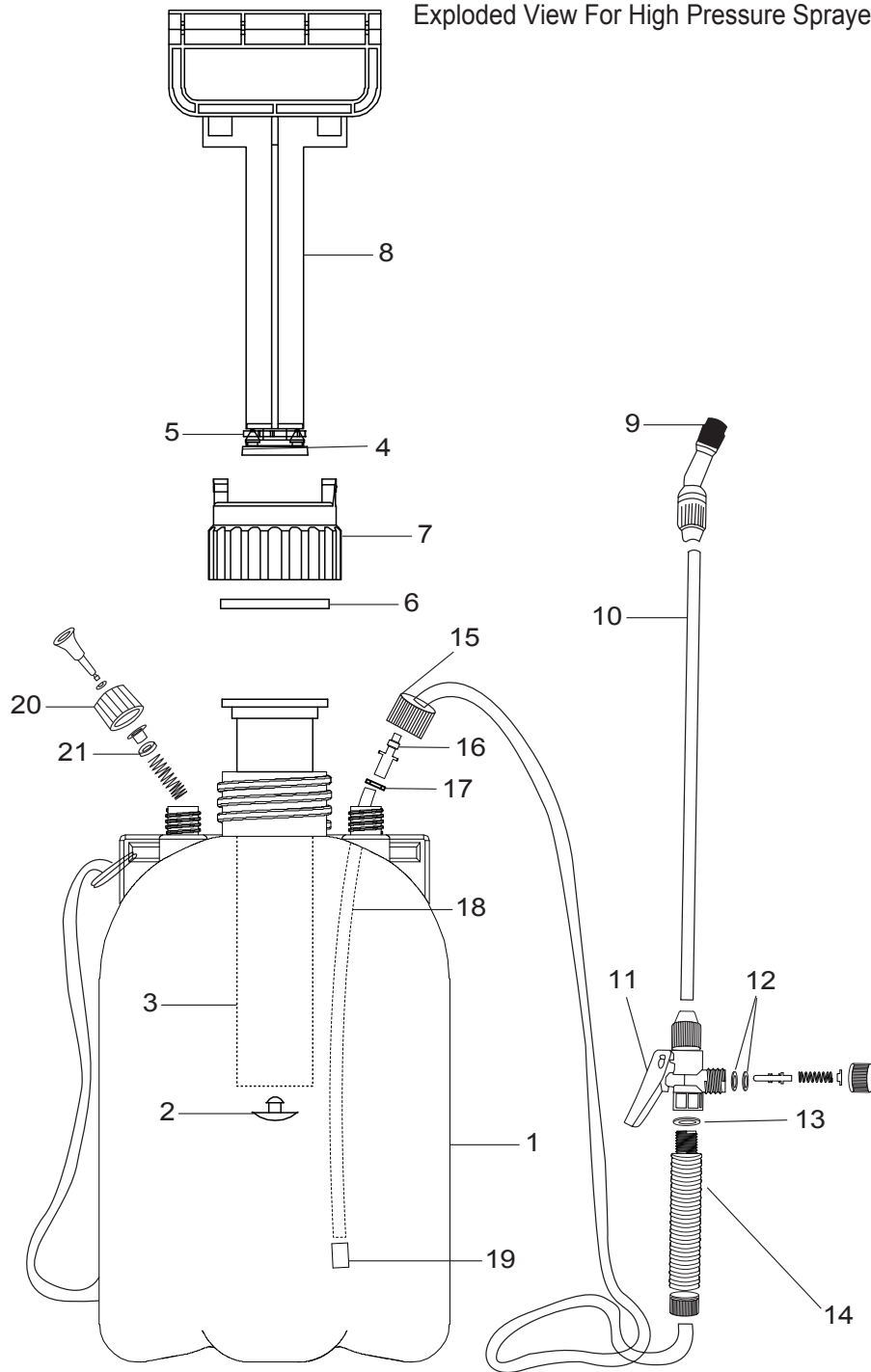


Exploded View For High Pressure Sprayer



### SPARE PARTS LIST

1	Bottle	12	Small trigger O ring (502429-2)
2	Inlet Valve	13	Trigger O Ring (502429-3)
3	Pump Barrel	14	Handle (Grip) (502429-1)
4	Pump Piston	15	Hose Retainer Cap
5	Piston O ring (502426-1)	16	Hose Retainer
6	Pump O ring (502426-2)	17	Hose Cap gasket
7	Container Cap	18	Inner Hose
8	Pump Handle	19	Filter (502427)
9	Nozzle (502428)	20	Safety Valve Cap (502425-1)
10	Lance	21	Safety valve gasket (502425-2)
11	Trigger Lever (502429-4)		