



**BIOLAN**

## Icelett 20

### Freezing Dry Toilet



- ♥ Does not require water, sewage, or ventilation pipe
- ♥ Easy to install in various locations – also suitable for rooms with underfloor heating
- ♥ Low electricity
- ♥ Rapid waste freezing: odorless
- ♥ Clean and hygienic
- ♥ Compostable bag in the container
- ♥ Quiet operation



**20 l**

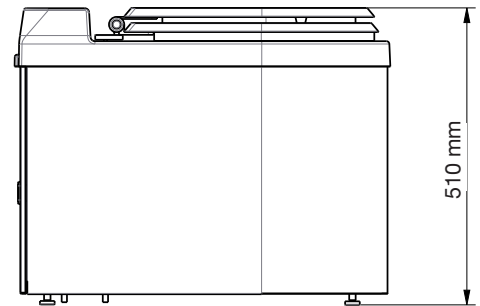
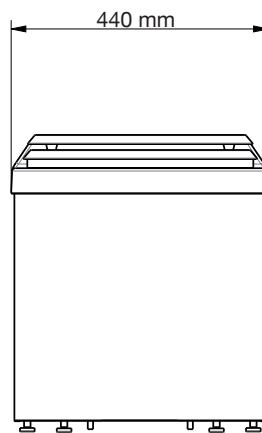
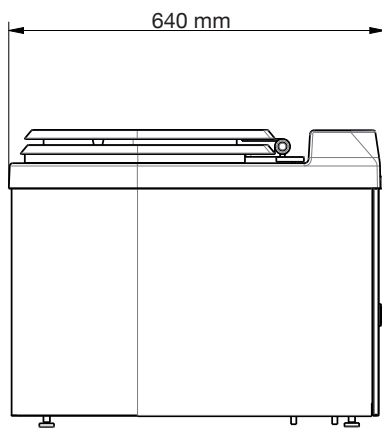


70570020

Colour: white

#### TECHNICAL SPECIFICATIONS:

Width:	44 cm
Height:	51 cm
Depth:	64 cm
Weight:	28 kg
Material:	Metal and ABS plastic
Voltage:	230 V
Fuse:	10 A
Power:	46 W
Average power consumption:	0.48 kWh/day



## Biolan Icelett 20

Biolan Icelett 20 is a freezing dry toilet that can be installed directly on the floor in heated indoor spaces. It can also be installed in rooms with underfloor heating.

Icelett 20 is an odorless, hygienic, and clean toilet. Its operation requires no water, sewage connection, or ventilation pipe – only electricity. Icelett 20 is ready for use immediately once the plug is connected to a wall socket, the device is switched on, and a compostable bag is placed in the inner container. The unit quickly freezes waste to  $-15\text{ }^{\circ}\text{C}$ , stopping microbial activity. Condensation heat is transferred to the upper edge of the unit, making the toilet pleasant to use.

The renewed Icelett has the lowest power consumption among freezing toilets on the market (46 W). It features an energy-efficient compressor that uses an environmentally friendly refrigerant. The thickness of the unit's insulation (urethane) has been increased, and the device is equipped with an electronic thermostat for precise temperature control. Icelett comes with a hinged, insulated, and damped soft-close lid that can easily be removed for cleaning.



# BIOLAN

Biolan Oy, PL 2, 27501 Kauttua, Finland  
Tiit Heinla, Export Manager  
tiit.heinla@biolan.fi

[biolan.com](http://biolan.com)