



# BIOLAN

## Biolan Complett

### Separating Dry Toilet

- ♥ A neat dry toilet that can be installed on the floor, even in a small space
- ♥ Separates liquid and solid waste
- ♥ Tanks for both solid waste and liquid, no drainage required
- ♥ A cover covering the toilet tank, also allows the use of a bidet
- ♥ The device has a fan that enhances ventilation (works with mains power) and a liquid tank full alarm (works also with batteries)
- ♥ Soft-closing seat cover



**20 l**



70570260

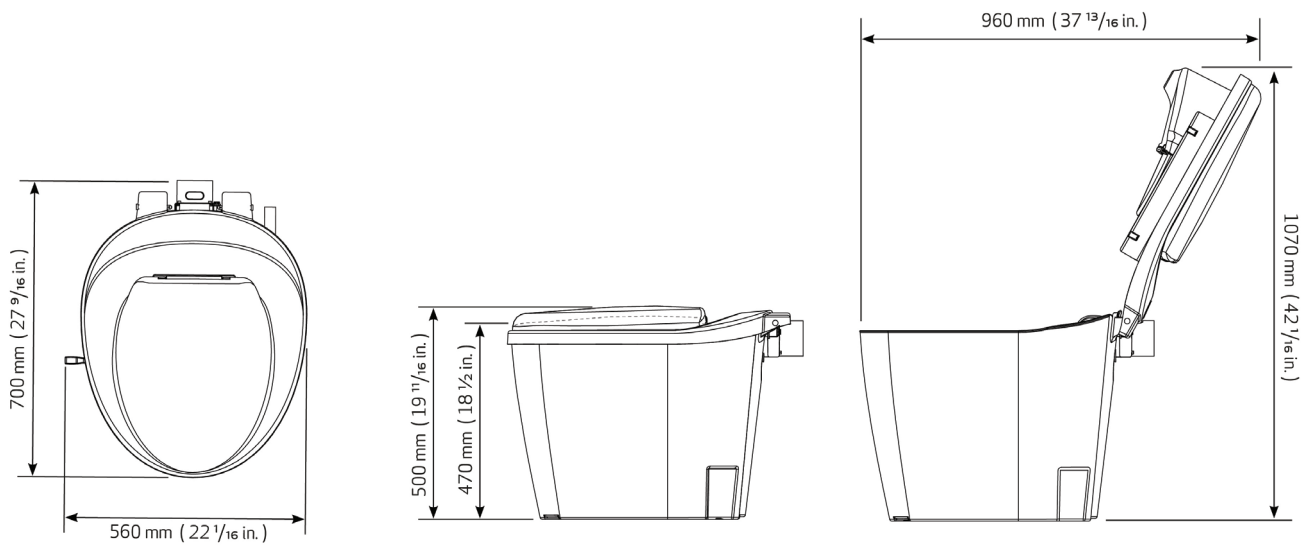
Pallet 8 pcs

Warranty 2 years  
in consumer use.

**COLOUR:** white

#### TECHNICAL SPECIFICATIONS:

Width:	57 cm
Height:	51 cm
Depth:	64 cm
Weight approx.:	11 kg
Inner container volume approx.:	20 l
Liquid tank volume approx.:	11 l
Power cord length:	120 cm
Material:	PP
Power consumption:	2 W
Power supply:	AC 100–240V 50/60Hz 0.6A. DC 3–12V 1.2A.
Batteries:	2 x AA (1.5V) alkaline (not included)
User weight:	max. 150 kg
Operating temperature:	+1 °C – +40 °C



## Biolan Completto

Biolan Completto dry toilet is designed for both indoor and outdoor use. The function of Completto is based on the separation of solid waste and liquid in the seat section. The toilet does not require a water connection, but it is possible to use a bidet spray with the device.

Solid waste and liquid are separated in the unit and collected into their own containers. The device is equipped with a fill-level alarm (works also with batteries) for the liquid container, and indicator lights signal when it needs to be emptied. The inner container for solid waste is emptied as needed.

Completto has a mains-powered fan that enhances ventilation. If mains power is not available at the installation site, Completto can also be used without the fan. In that case, ventilation can, if necessary, be enhanced with e.g. the Biolan Rooftop Ventilator.

Completto can be installed in warm or cold spaces. When installed in a heated space, it can be used year-round. In this case, the ventilation system must be insulated against cold areas. In an unheated space, the toilet can only be used when the temperature is at least +1 °C. The liquid container must be emptied before the temperature drops below freezing (< 0 °C). Completto can be stored over the winter in an unheated space.



# BIOLAN

Biolan Oy, PL 2, 27501 Kauttua, Finland

[biolan.com](http://biolan.com)