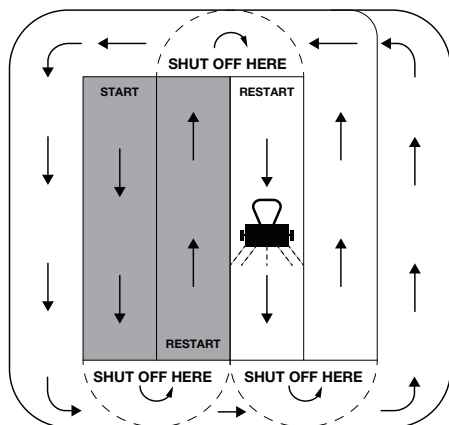


To calculate how many Kilos of fertilizer to put down, you first need to read on the fertilizer bag how many SQUARE METERS the fertilizer will cover. For example: you have purchased a bag of fertilizer that states it will cover 300 SQUARE METERS, and weighs 10 Kilos. To figure coverage simply divides the bag weight by the suggested coverage to get how many Kilos per SQUARE METERS. This example would be  $10 / 300 = 0.0333$  Kilos per SQUARE METERS. To convert up by 1,000 SQUARE METERS simply multiply 0.0333

### Caution

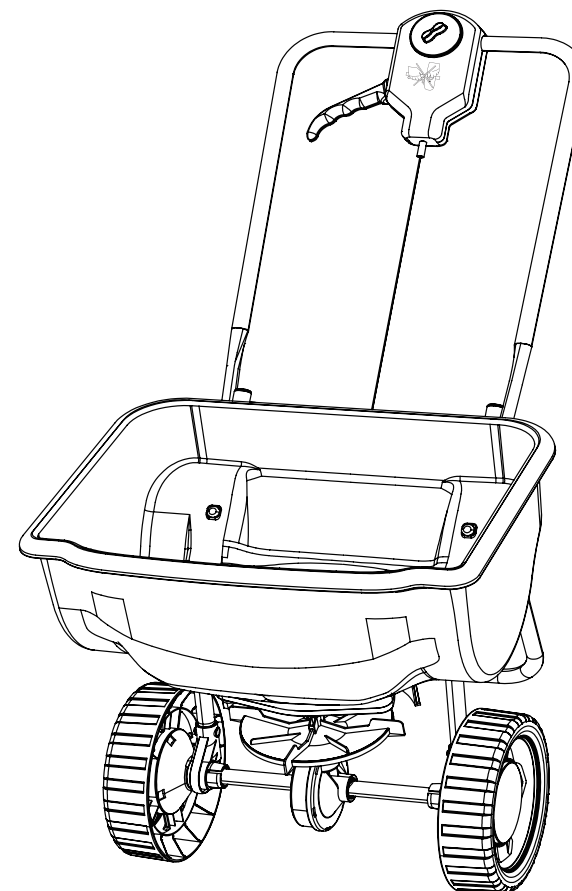
These settings are intended for reference only. As there are many variables involved with setting any spreader; including physical composition of the Material being applied, walking speed and terrain; settings may have to be adjusted. Because of these conditions, Supplier makes no warranty as to the uniformity of coverage actually obtained from the settings listed.

### Spread Diagram



# YARDSMITH®

## BROADCAST SPREADER 1,400 SQUARE METERS



## Rules for Safe Operation

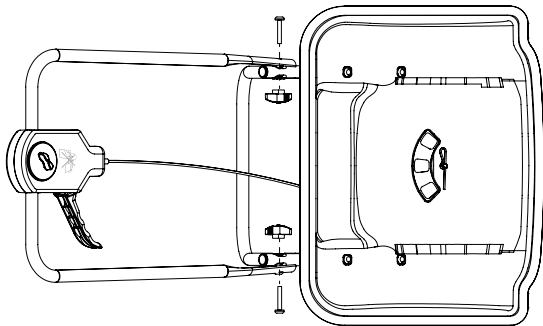
This broadcast spreader is designed, engineered and tested to offer reasonably safe and effective service, provided that it is operated in accordance with these instructions. Failure to do so may result in personal injury. Always observe the rules of safe operation.

- Do not allow anyone to operate the spreader without proper instructions
- Do not allow children to operate or ride on the spreader
- Holds up to 1,400 SQUARE METERS of material
- Always wear eye and hand protection when handling or applying lawn & garden chemicals
- Read all chemical label instructions and cautions before handling and applying the chemicals purchased for spreading
- Keep all nuts, bolts and screws tight to be sure equipment is in safe operation, DO NOT OVER TIGHTEN.
- Follow maintenance and lubrication instructions as outlined in manual
- Always wear proper footwear, sturdy closed toed shoes, when operating spreader.
- Do not wear loose clothing that can get caught in moving parts
- Stay alert for holes in the terrain and other hidden hazards

## Assembly Instructions

**Estimated Assembly Time:** 5 minutes

1. Unscrew 2 Carriage Bolts and Nuts from Frame
2. Raise the Handle to make the two holes align well on the handle and frame, insert 2 Carriage Bolts into the holes and fasten with 2 Nuts, and finally secure all Carriage Bolts with Nuts tightly. Do not over tighten. (See Illustration)

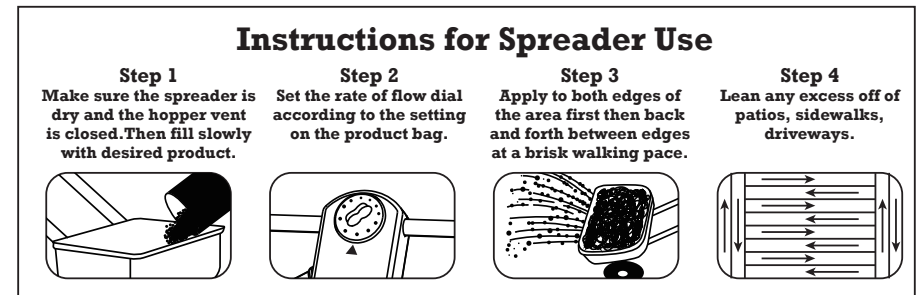


## General Instructions for Properly Setting Your Spreader

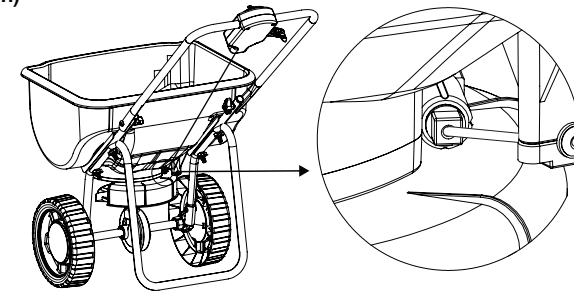
1. There are too many variables involved with setting any spreader to perfectly grade the Settings. Due to the fact that different manufacturers of fertilizers make the granules different sizes, it is impossible for spreader manufacturers to provide setting guidelines for all fertilizers. Differences will exist between fertilizers, even if they are the same brand and

type. If you think too much is being applied, cut down your setting. The antidote for too much fertilizer is water.

2. Fill hopper with lawn product of your choice
3. Please follow the following instructions. Do not squeeze and hold yellow grip when rotating yellow dial controller to correct setting.



4. To apply product, begin walking at a steady pace (approx. 1.2 m/sec.), then squeeze and hold yellow grip
5. Close Spreader at the end of each pass. Open again at the start of your next pass.
6. Gravity and motion are critical forces influencing the spreader. The faster you walk, the thinner the coverage.
7. When finished, sweep stray particles back onto lawn area
8. For further fine tune adjustments to your spreader: (if dial controller adjustment not satisfied):
  - To get a wider opening, please turn cable screw clockwise to tighten cable.
  - To get a smaller opening, please turn cable screw counter-clockwise to remove cable.(See Illustration)



9. Never leave product in the spreader. Pour leftover material back into the package and seal the package tightly. After each use, wash thoroughly over the lawn to remove all material clinging to the spreader. Hot water may be required at time to remove stubborn residue. Allow the spreader to dry thoroughly in the sun. Store your spreader in a clean dry place.
  10. Lubricate all moving parts, including plate, axle, and center rod
- Caution: Care must be taken with any weed killer, pesticide, or combination product. These products can be harmful to other plants in your yard.**