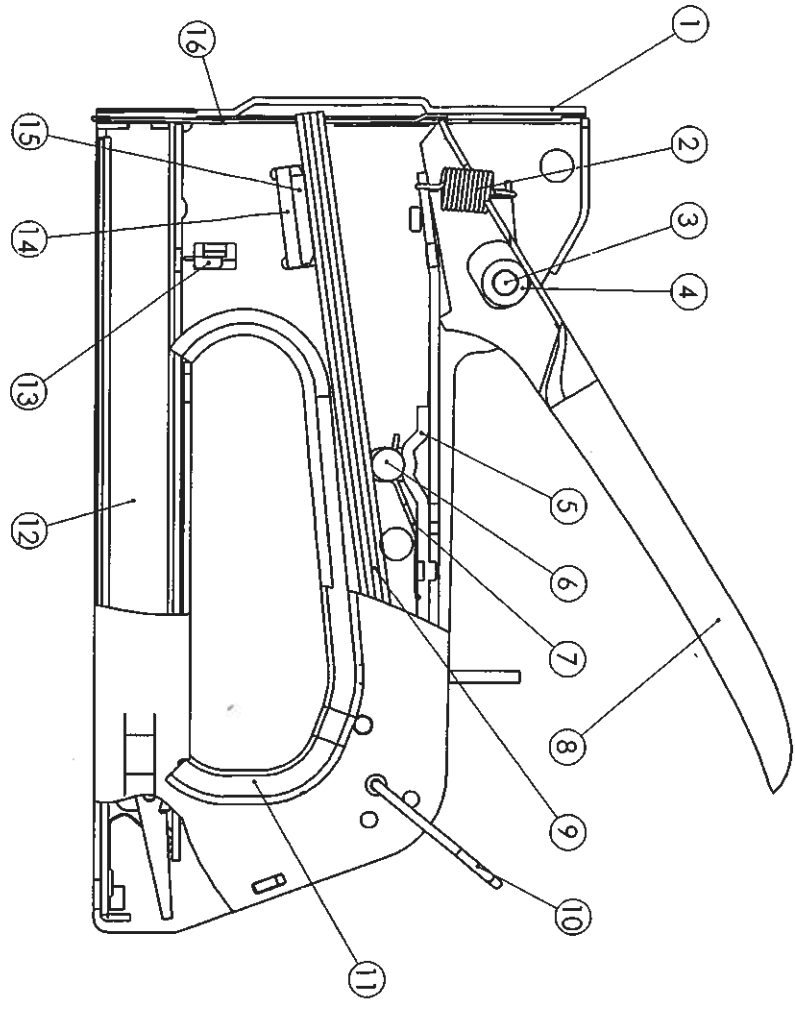




SPARE PARTS LIST

Reg. By peto	Appr. By peto	Appr. Date 2002-03-21	Page 1(1)	Class 053	No. 217982	Rev. 01
Info		Product name Rapid 34 ergonomic				

Pos No	Part No	Part Name	Qty
1	12565830	Front	1
2	125948	Spring	1
3	124552	Roll	1
4	155614	Pin	1
5	217036	Power regulator	1
6	125773	Pin	1
7	125690	Lock spring	1
8	212136	Handle	1
9	125807	Set of blade springs	1
10	214264	Catch lever	1
11	21426703	Plastic handle	1
12	125922	Feeder complete	1
13	125955	Catch spring	1
14	125815	Stop plate	1
15	140640	Damper	1
16	125641	Driver	1



Head office and factory: **ISABERG RAPID AB, Box 115, S-330 27 Hestra, Sweden**
 Telephone 46-(0)370-33 95 00. Telefax 46-(0)370-33 95 02.
 Internet www.isaberg-rapid.com