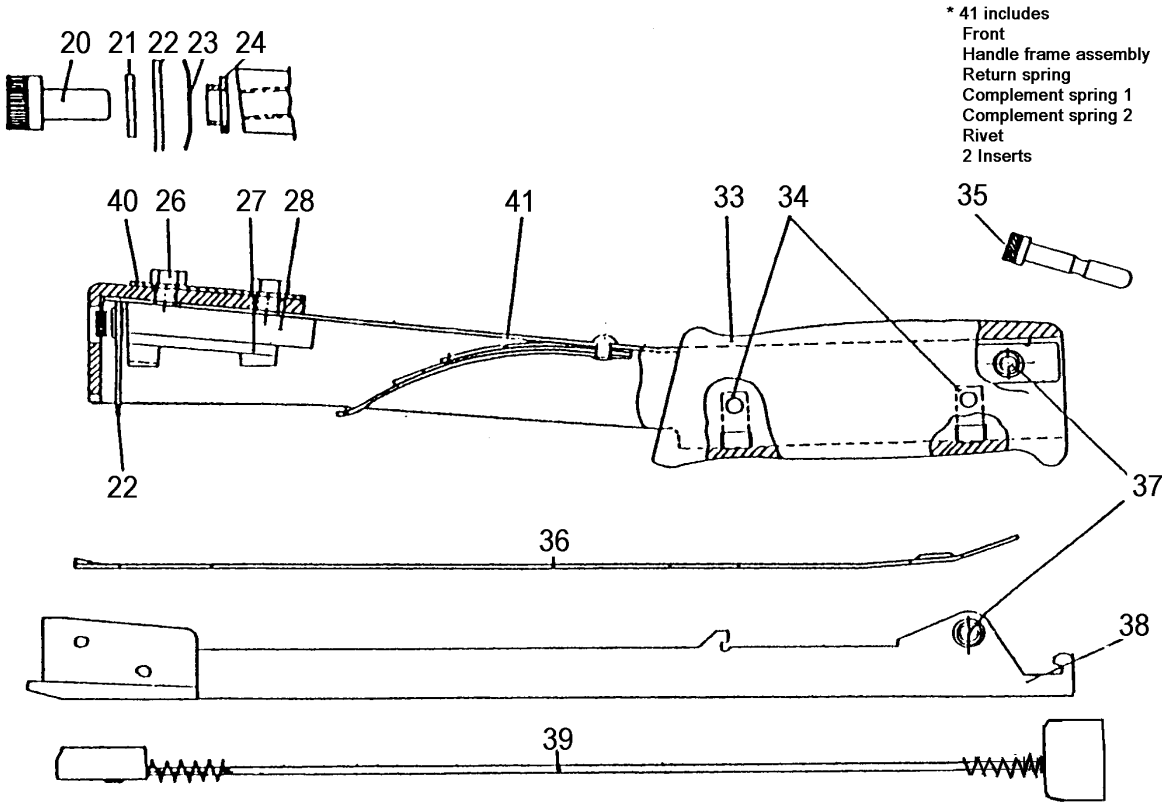


Spare Part List

Created by kele	Approved by idpa	Approval Date 2021-08-23	Page 1(1)	Class 053	No. 197517	Rev. 06
Artikel Nummer Rapid 54		Product Name RAPID 54				

	Pos No	Part No	Part Name	Qty
 <p>* 41 includes Front Handle frame assembly Return spring Complement spring 1 Complement spring 2 Rivet 2 Inserts</p>	20	822027600	Screw	1
	21	815522600	Washer	1
	22	714971610	Driver	1
	23	815527500	Washer spring	1
	24	814935100	Spacer	1
	26	822027800	Screw	2
	27	814964100	Damper	1
	28	14972401	Balance block	1
	33	814932800	Handle	1
	34	814965800	Guide	2
	35	714981500	Pin	1
	36	714958310	Lid	1
	37	814963300	Bushing	4
	38	714975705	Magazine	1
	39	714992200	Feeder complete	1
	40	714966600	Weight	1
	41 *	14969020	Handle frame assembly	1

When ordering always state the part numbers
 Head office and factory: ISABERG RAPID AB, Box 115, S-335 03 Hestra, Sweden
 Telephone 46-(0)370-33 95 00
 Internet www.isaberg-rapid.com