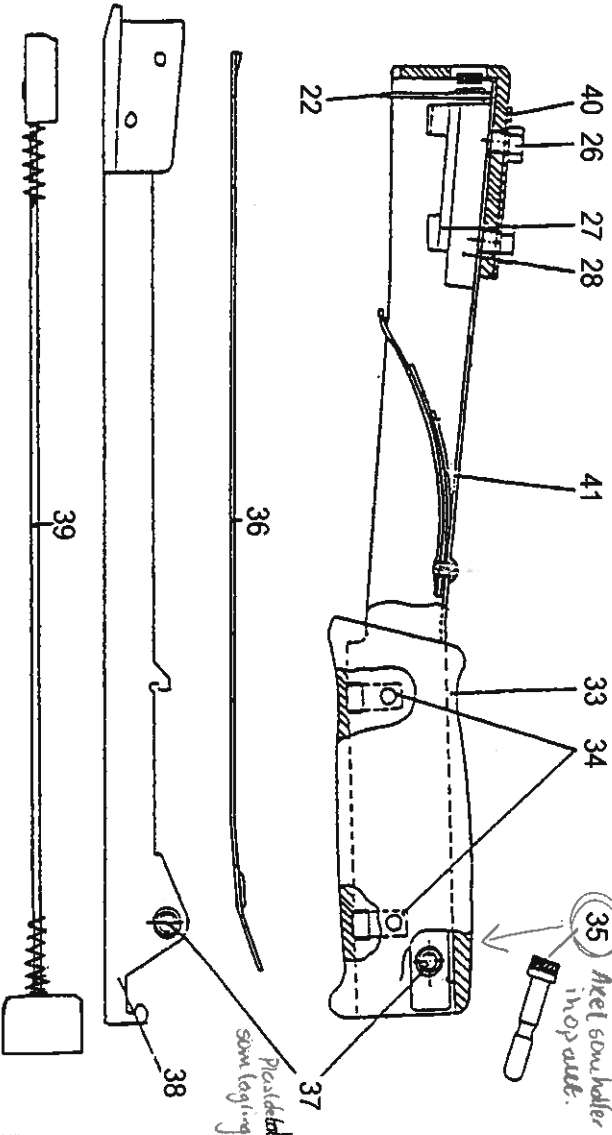


Rapid

ISABERG PARTS LIST

Reg. By kele	Appr. By peto	Appr. Date 2002-10-30	Page 1(1)	Class 053	No. 197517	Rev. 05
Info		Product name RAPID 54				

Pos No	Part No	Part Name	Qty
20	220276	Screw	1
21	155226	Washer	1
22	14971610	Driver	1
23	155275	Washer spring	1
24	149351	Spacer	1
26	220278	Screw	2
27	149641	Damper	1
28	14972401	Balance block	1
33	149328	Handle	1
34	149658	Guide	2
35	149815	Pin	1
36	14958310	Lid	1
37	149633	Bushing	4
38	14975705	Magazine	1
39	149922	Feeder complete	1
40	149666	Weight	1
41 *	14969020	Handle frame assembly	1



* 41 includes
 Front
 Handle frame assembly
 Return spring
 Complement spring 1
 Complement spring 2
 Rivet
 2 inserts

When ordering always state the part numbers
 Head office and factory: ISABERG RAPID AB, Box 115, S-330 27 Hestra, Sweden
 Telephone 46-(0)370-33 95 00. Telefax 46-(0)370-33 95 02.
 Internet www.isaberg-rapid.com