
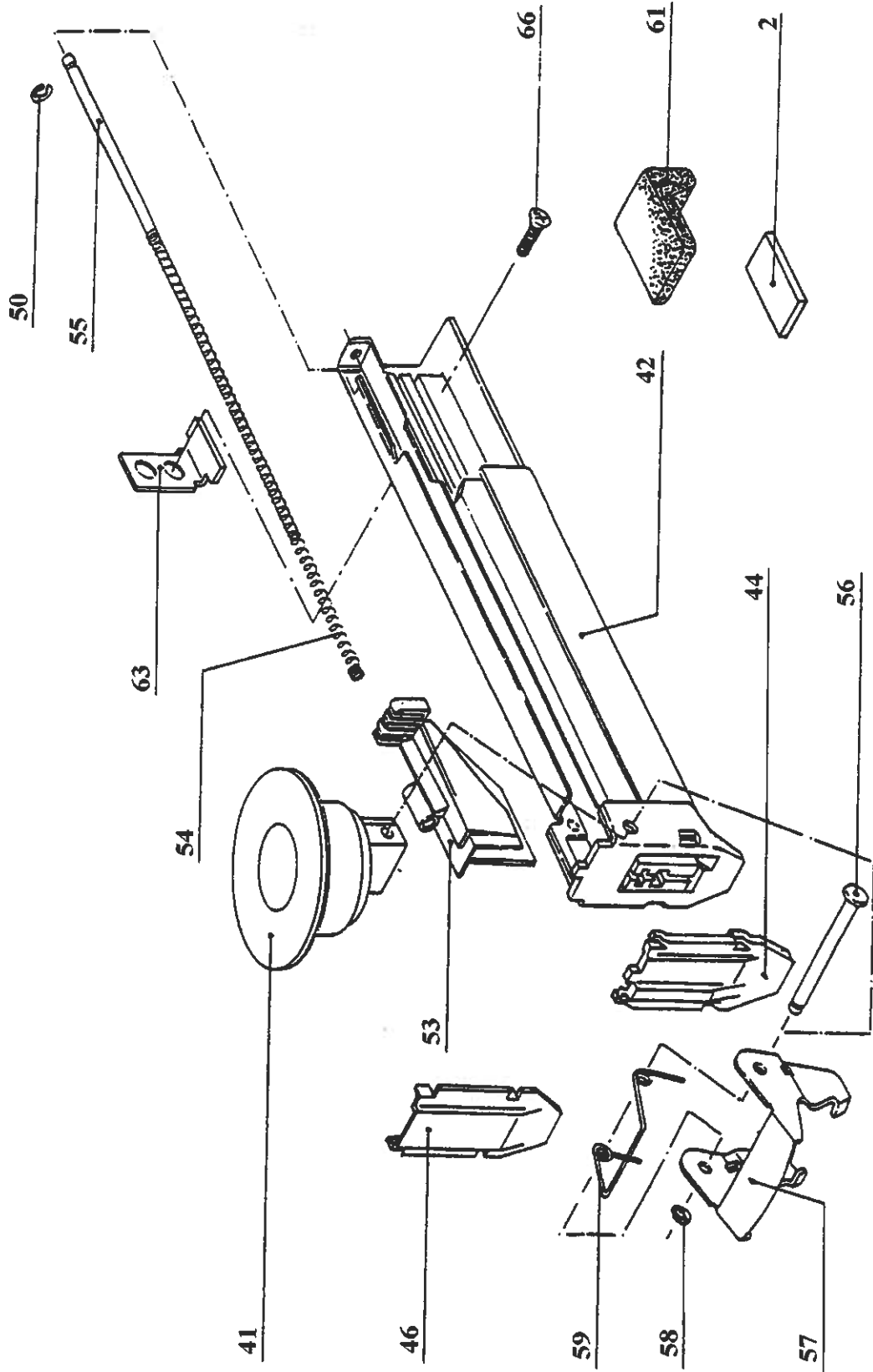

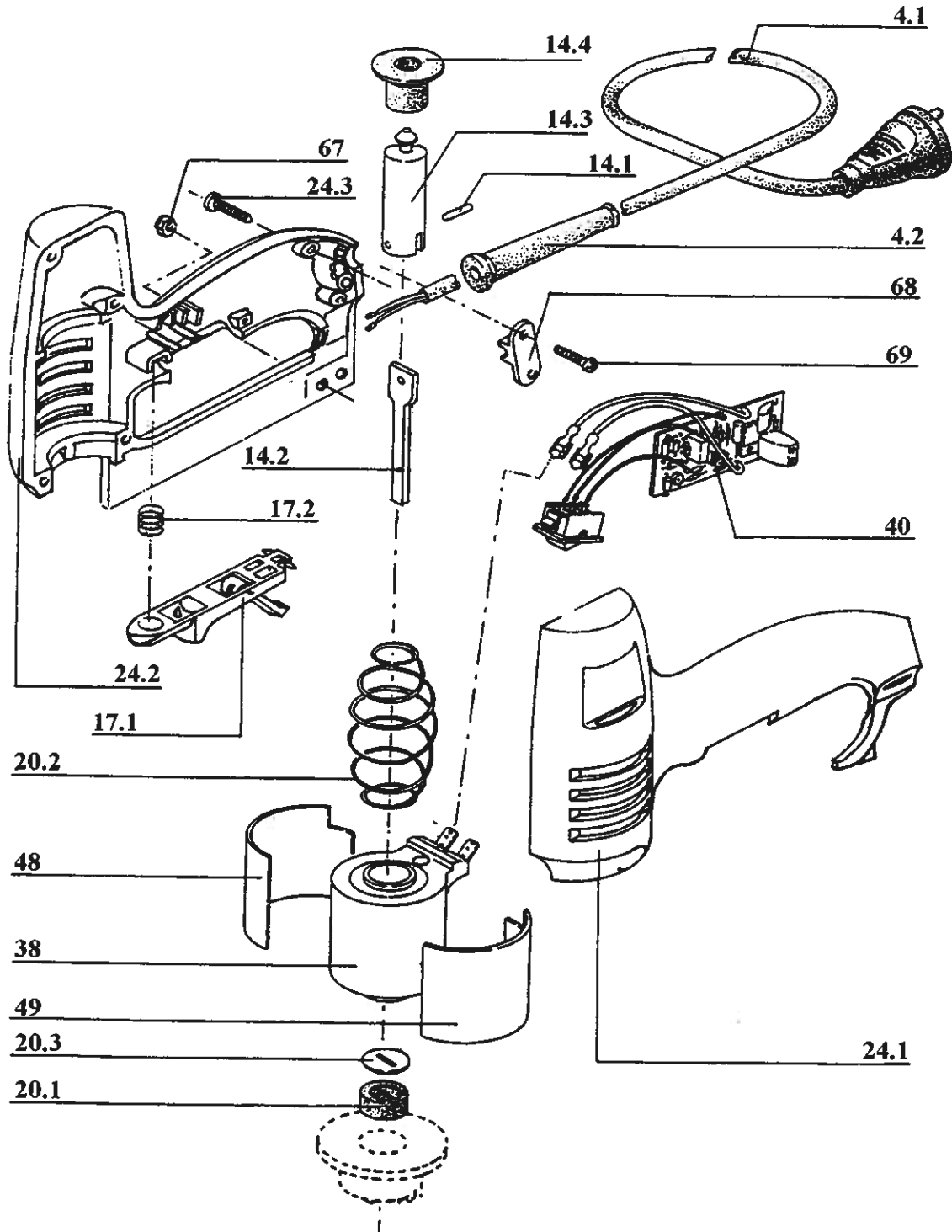


|  |                         |                                  |                     |                     |                      |                   |
|--|-------------------------|----------------------------------|---------------------|---------------------|----------------------|-------------------|
| <b>Rapid</b>  |                         | <b>SPARE PARTS LIST</b>          |                     |                     |                      |                   |
| Reg. By<br><b>kele</b>   | Appr. By<br><b>kele</b> | Appr. Date<br><b>10/20/2006</b>  | Page<br><b>3(3)</b> | Class<br><b>053</b> | No.<br><b>198366</b> | Rev.<br><b>04</b> |
| Info   |                         | Product name<br><b>RAPID 606</b> |                     |                     |                      |                   |




Muh.  
Annes.  
0370/339428

|  |                         |                                  |                     |                     |                      |                   |
|--|-------------------------|----------------------------------|---------------------|---------------------|----------------------|-------------------|
| <b>Rapid</b>  |                         | <b>SPARE PARTS LIST</b>          |                     |                     |                      |                   |
| Reg. By<br><b>kele</b>   | Appr. By<br><b>kele</b> | Appr. Date<br><b>10/20/2006</b>  | Page<br><b>2(3)</b> | Class<br><b>053</b> | No.<br><b>198366</b> | Rev.<br><b>04</b> |
| Info   |                         | Product name<br><b>RAPID 606</b> |                     |                     |                      |                   |



Muh  
 Amred  
 0370  
 339428

|  |                         |                                  |                     |                     |                      |                   |
|--|-------------------------|----------------------------------|---------------------|---------------------|----------------------|-------------------|
| <b>Rapid</b>  |                         | <b>SPARE PARTS LIST</b>          |                     |                     |                      |                   |
| Reg. By<br><b>kele</b>   | Appr. By<br><b>kele</b> | Appr. Date<br><b>10/20/2006</b>  | Page<br><b>1(3)</b> | Class<br><b>053</b> | No.<br><b>198366</b> | Rev.<br><b>04</b> |
| Info   |                         | Product name<br><b>RAPID 606</b> |                     |                     |                      |                   |

| Pos No | Part No  | Qty | Part Name                        |
|--------|----------|-----|----------------------------------|
| 2      | 169005   |     | TOOL Warp Avoiding Plate         |
| 3      | 169006   |     | TOOL Front Spring loading tool   |
| 4-EU   | 16900790 | 1   | POWER CORD KIT Vers. 21 (Europe) |
| 4-CH   | 16909790 | 1   | Vers. 24 (CH)                    |
| 4-GB   | 16909990 | 1   | Vers. 25 (GB)                    |
| 4-AUS  | 16910190 | 1   | Vers. 28 (Australia)             |
| (4.1)  |          | (1) | Electric Supply Cord 3,5M        |
| (4.2)  |          | (1) | Bend Relief                      |
| 14     | 16901890 | 1   | PLUNGER KIT 606                  |
| (14.1) |          | (1) | Roll Pin 3 x 12                  |
| (14.2) |          | (1) | Driver Blade 606                 |
| (14.3) |          | (1) | Plunger                          |
| (14.4) |          | (1) | Plunger Cap                      |
| 17     | 16902190 | 1   | TRIGGER KIT RAPID 606/553        |
| (17.1) |          | (1) | Trigger Rapid 606/553            |
| (17.2) |          | (1) | Trigger Spring                   |
| 20     | 16902490 | 1   | SPRING DAMPER KIT 606            |
| (20.1) |          | (1) | Damper                           |
| (20.2) |          | (1) | Plunger Return Spring            |
| (20.3) |          | (1) | Damper Washer                    |
| 24     | 16902890 | 1   | SHELL KIT RAPID 606/553          |
| (24.1) |          | (1) | Shell SX.Rapid                   |
| (24.2) |          | (1) | Shell DX.Rapid                   |
| (24.3) |          | (6) | Special Screw TCTC               |
| 38     | 169044   | 1   | Solenoid Type "A" 220/240V       |
| 40     | 169047   | 1   | Electric Board Assembly 220/240V |
|        | 239248   | 1   | Electric Board Assembly 110/120V |
| 41     | 169048   | 1   | Solenoid Support                 |
| 42     | 169049   | 1   | Magazine Assembly 606            |
| 44     | 169051   | 1   | Front Plate 606                  |
| 46     | 169054   | 1   | Panel Guide 606                  |
| 48     | 169056   | 1   | Armature SX                      |
| 49     | 169057   | 1   | Armature DX                      |
| 50     | 169058   | 1   | Circlip 2,3                      |
| 53     | 169062   | 1   | Pusher 606                       |
| 54     | 169063   | 1   | Pusher Spring                    |
| 55     | 169064   | 1   | Spring guide                     |
| 56     | 169065   | 1   | Solenoid Base Pin                |
| 57     | 169066   | 1   | Front Plate Holder               |
| 58     | 169067   | 1   | Circlip 3,2                      |
| 59     | 169068   | 1   | Front Plate Holder Spring        |
| 61     | 169070   | 1   | Rear Support 606                 |
| 63     | 169072   | 1   | Rear Support Holder 606          |
| 66     | 169075   | 1   | Screw TSPCPH M3 x 12-8,8         |
| 67     | 169076   | 1   | Self-Lock NUT M3                 |
| 68     | 169077   | 1   | Cable Holder                     |
| 69     | 169032   | 2   | Special Screw TCTC               |

If a part is included in a kit, the hole kit must be ordered.