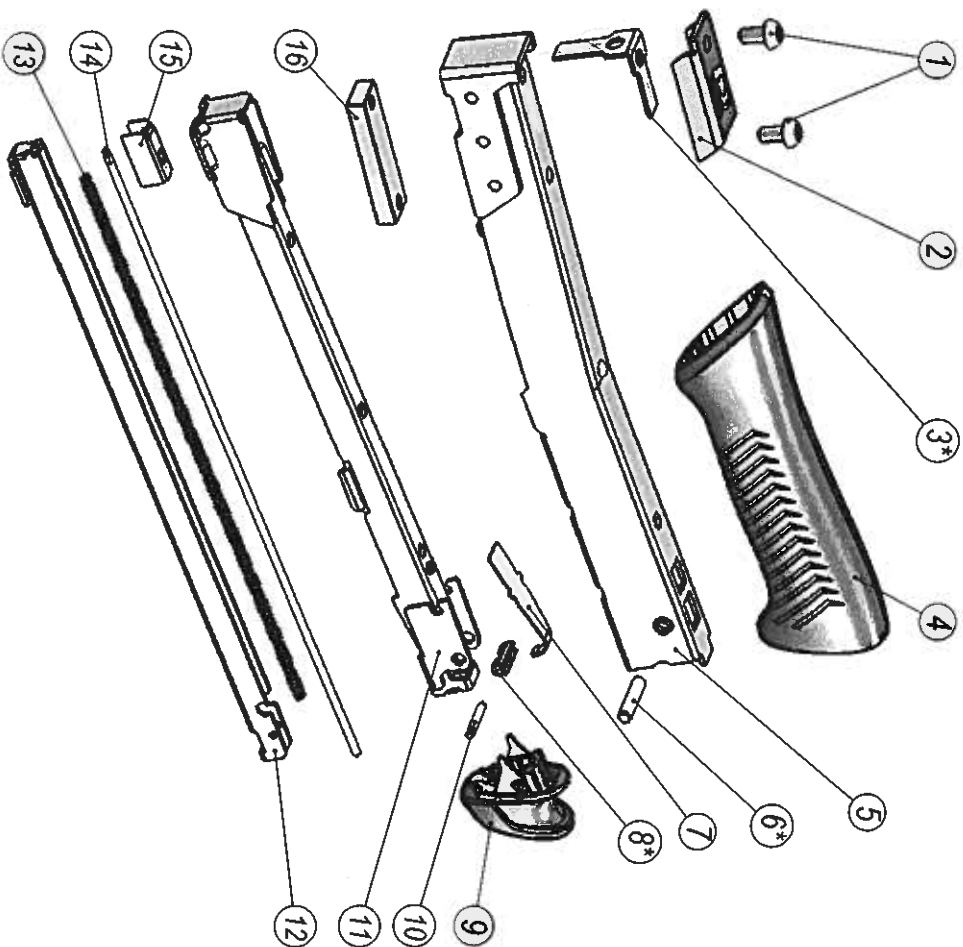




Spare Parts List

Created by	Modified by	Approved by
jaeb	jaeb	jaeb
Date	Scale	Approval date
2011-04-05	...	2011-04-29

Doc. class	Dwg no.	Rev.
030	253082	02
Designation		
R311 Spare parts list		



Pos.	Art.no	Designation	Benämning
1	216231	MRT M6 x 12	MRT M6 x 12
2	233292	R311 Cover plate	R311 Täckplåt
3	233294	R311 Reversible driver	R311 Dubbel drivare
4	233290	R311 Handle	R311 Handtag
5	249237	R311 C.Frame	R311 F.Kåpa
6	233293	R311 Connecting shaft	R311 Upphängningsaxel
7	249225	R311 Locking spring	R311 Låsfjäder
8	249126	R311 Locking wedge	R311 Låskil
9	250673	R311 Assembly End Cap	R311 Sammanställning bakstycke
10	249503	R311 Opener shaft	R311 Upplösaxel
11	249234	R311 C.Magazine	R311 K.Magasin
12	249310	R311 C.Staple rail	R311 K.Klammerskena
13	233277	R311 Feeder spring	R311 Matarfjäder
14	233273	R311 Feeder piston	R311 Matarstäng
15	233276	R311 Pusher complete	R311 K.Matare
16	233285	R311 Hammer load	R311 Hammarvikt

* Before insert this spare parts, we advice to grease them.

When ordering always state the part numbers. ISABERG RAPID AB, Box 115, S-33027 Hestra, Sweden. Phone +46-(0)370-33 95 00 Fax +46(0)370-33 95 02.