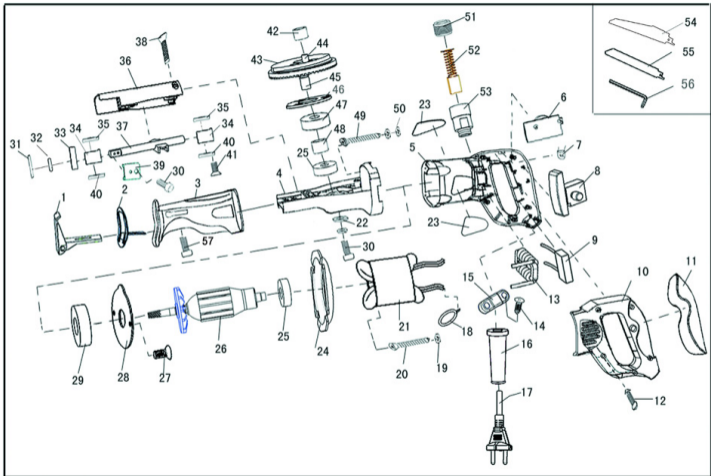


Exploded view for 93-800



93-800 RECIPROCATING SAW PARTS LIST

Items	Description	Items	Description
1.	Adjustable Bottom Plate(shoe)	30.	Hex Bolt M5x12
2.	Guard Plate	31.	Dust Retainer
3.	Rubber Sleeve	32.	O -Ring
4.	Mechinehead	33.	Wool Washer
5.	Right Body	34.	Wool block
6.	Adjustable Speed Plate	35.	Sliding Bearing
7.	Capacitor	36.	Machinehead
8.	Switch	37.	Reciprocating Bar
9.	Capacitor	38.	Screw M5x35
10.	Left Body	39.	Blade Clamp
11.	Buff	40.	Bearing Clip
12.	Screw ST4.2x18	41.	Screw M5x12
13.	Inductor	42.	Needle Bearing HK070814
14.	Screw ST4.2x14	43.	Gear
15.	Strain Relief	44.	Needle Bearing Shaft
16.	Cord Guard	45.	Gear wheel Shaft
17.	Supply Cord	46.	Bearing Clip
18.	Brush Terminal	47.	Ball Bearing 6000
19.	φ 5 spring washer	48.	Shaft Ring
20.	Screw ST4.8x55	49.	Screw ST4.8x35
21.	Stator	50.	φ 5 Plain Washer
22.	Steel Ring	51.	Brush Holder Cover
23.	Nameplate	52.	Carbon Brush
24.	Wingshield Ring	53.	Brush Holder
25.	Ball Bearing 608	54.	Wood Cutting blade
26.	Rotor	55.	Metal Cutting blade
27.	Screw M4x10	56.	Hex Key Wrench
28.	Bearing Clip	57.	Hex Bolt M5x12
29.	Ball Bearing 6001		