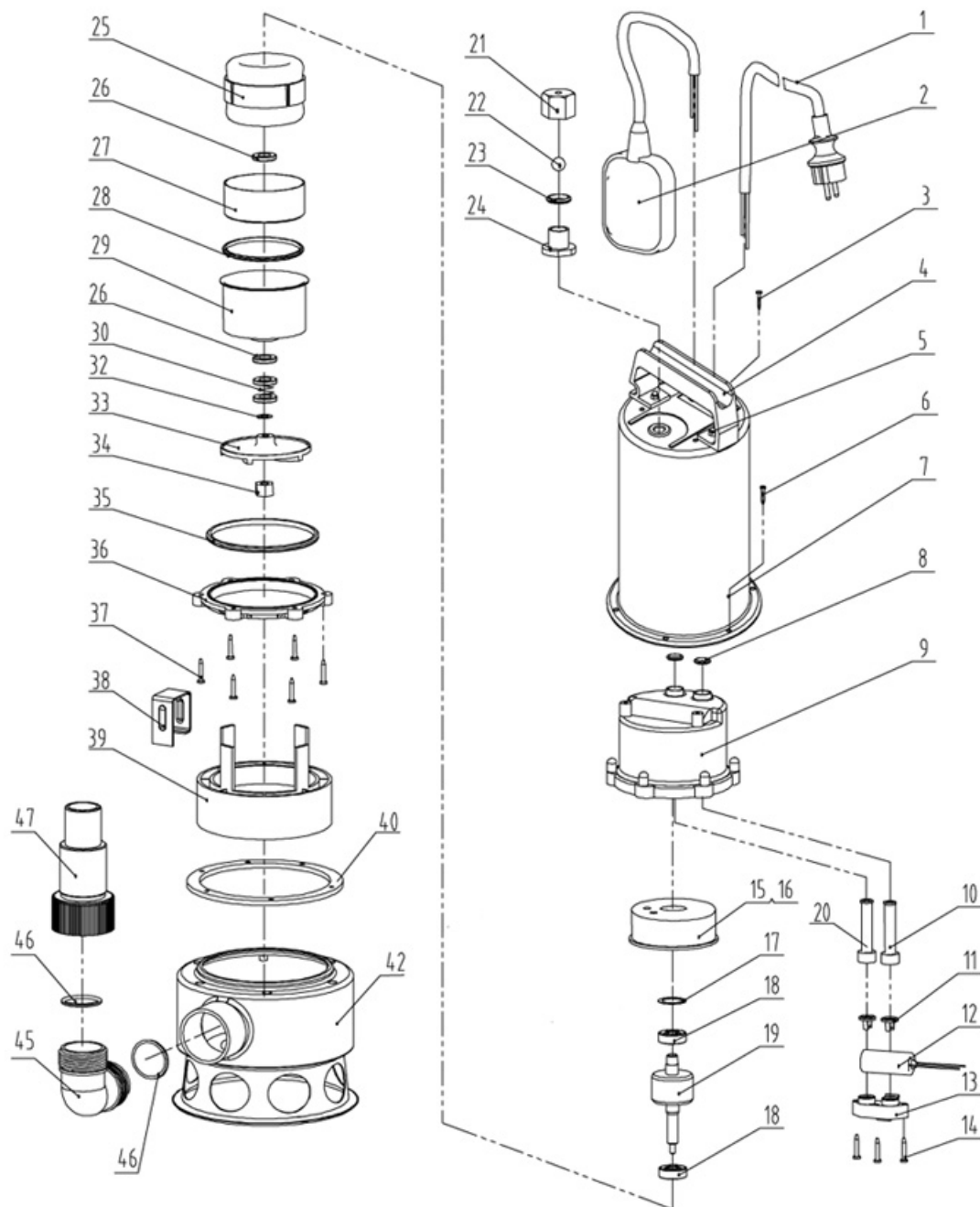


Exploded view for 60-533



## 60-533 Spare Parts List

Pos. No.	Description	Material	Quantity
1	Cable and Plug		1
2	Floating Ball Switch		1
3	Tapping Screw	304	5
4	Handle	PP-GF20	1
5	Nut	304	2
6	Screw	304	6
7	Pump Housing	Stainless Steel	1
8	"O" Ring	NBR	2
9	Rear Pump Cover	PA-GF20	1
10	Cable Sleeve	TPR	1
11	Cable Holder	PA-GF20	2
12	Capacitor 16uF		1
13	Cable Clamp	PA-GF30	1
14	Tapping Screw		3
15	Rear Cover	ZL104	1
16	Wire Sleeve	NR	1
17	Wave Washer	65Mn	1
18	Ball Bearing		2
19	Armature		1
20	Cable Sleeve	TPR	1
21	Nut of Air Vavle	PP-GF30	1
22	Steel Ball	304	1
23	"O" Ring	NBR	1
24	Air Valve	PP-GF30	1
25	Stator		1
26	Seal Ring		2
27	Motor Sleeve	ST13	1
28	"O" Ring Seal	NBR	1
29	Front Cover	ST14	1
30	Mechinical Seal		1
32	Adjustment Washer	304	1
33	Impeller	PA-GF30	1
34	Nut	304	1
35	"O" Ring Seal	NBR	1
36	Clamp Ring	PA-GF30	1
37	Tapping Screw	304	6
38	Ground Connection Block	H62	1
39	Position Sleeve	PA-GF30	1
40	Seal Ring	NBR	1
42	Pump Base	304	1
45	Adaptor	PP-GF20	1
46	"O" Ring Seal	TPR	2
47	Output Connector	PP-GF20	1