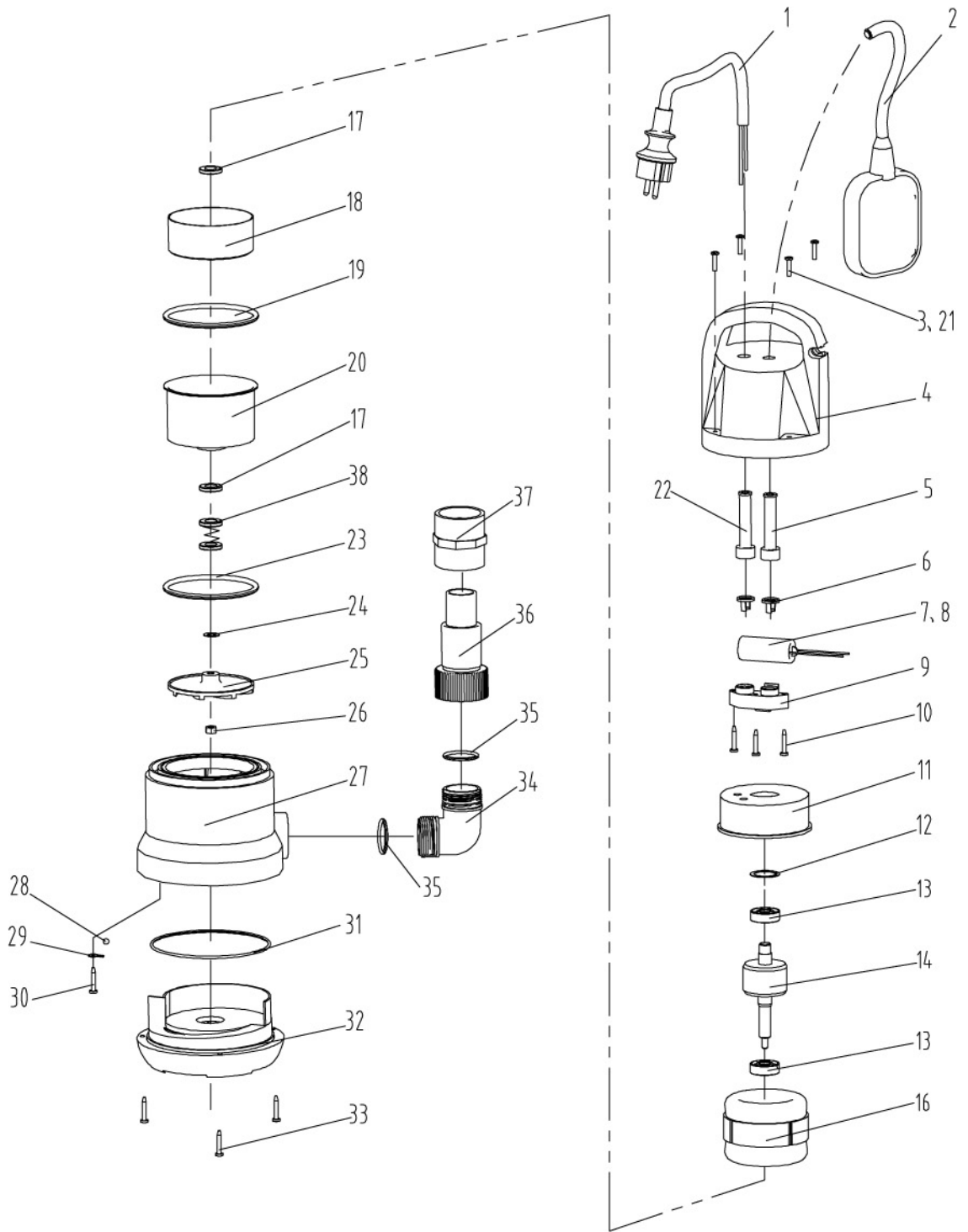


Exploded view for 60-530



### 60-530 Spare Parts List

Pos. No.	Description	Material	Quantity	Remark
1	Cable and Plug		1	
2	Floating Ball Switch		1	
3	Tapping Screw	304	4	(4.5×30) Delta
4	Rear Housing	PP-GF20	1	
5	Cable Sleeve	TPR	1	
6	Cable Holder	PA-GF20	2	Φ7
7	Capacitor 6uF		1	
8	Capacitor Sleeve	PP	1	
9	Cable Clamp	PA-GF30	1	
10	Tapping Screw		3	
11	Rear Cover	PA6-GF30	1	
12	Wave Washer	65Mn	1	d25×D31.5×H3
13	Ball Bearing		2	
14	Armature		1	
16	Stator		1	
17	Seal Ring		2	
18	Front Sleeve	ST13	1	
19	"O" Ring Seal	NBR	1	84.5×3.55
20	Front Cover	ST14	1	
21	Washer	304	4	Flat Washer
22	Cable Sleeve	TPR	1	
23	"O" Ring Seal	Special Rubber	1	89×5.2
24	Adjustment Washer	304	1	d6.2×D20×H1
25	Impeller	PA-GF30	1	
26	Nut	304	1	
27	Main Housing	PP-GF20	1	
28	Steel Ball	304	1	
29	Washer	304	1	
30	Tapping Screw	304	1	
31	"O" Ring Seal	NBR	1	125×3
32	Pump Base	PP-GF20	1	
33	Tapping Screw	304	3	
34	Adaptor	PP-GF20	1	
35	"O" Ring Seal	TPR	2	37.5×3
36	Output Connector	PP-GF20	1	
37	Connector	PP-GF20	1	
38	Mechanical Seal		1	