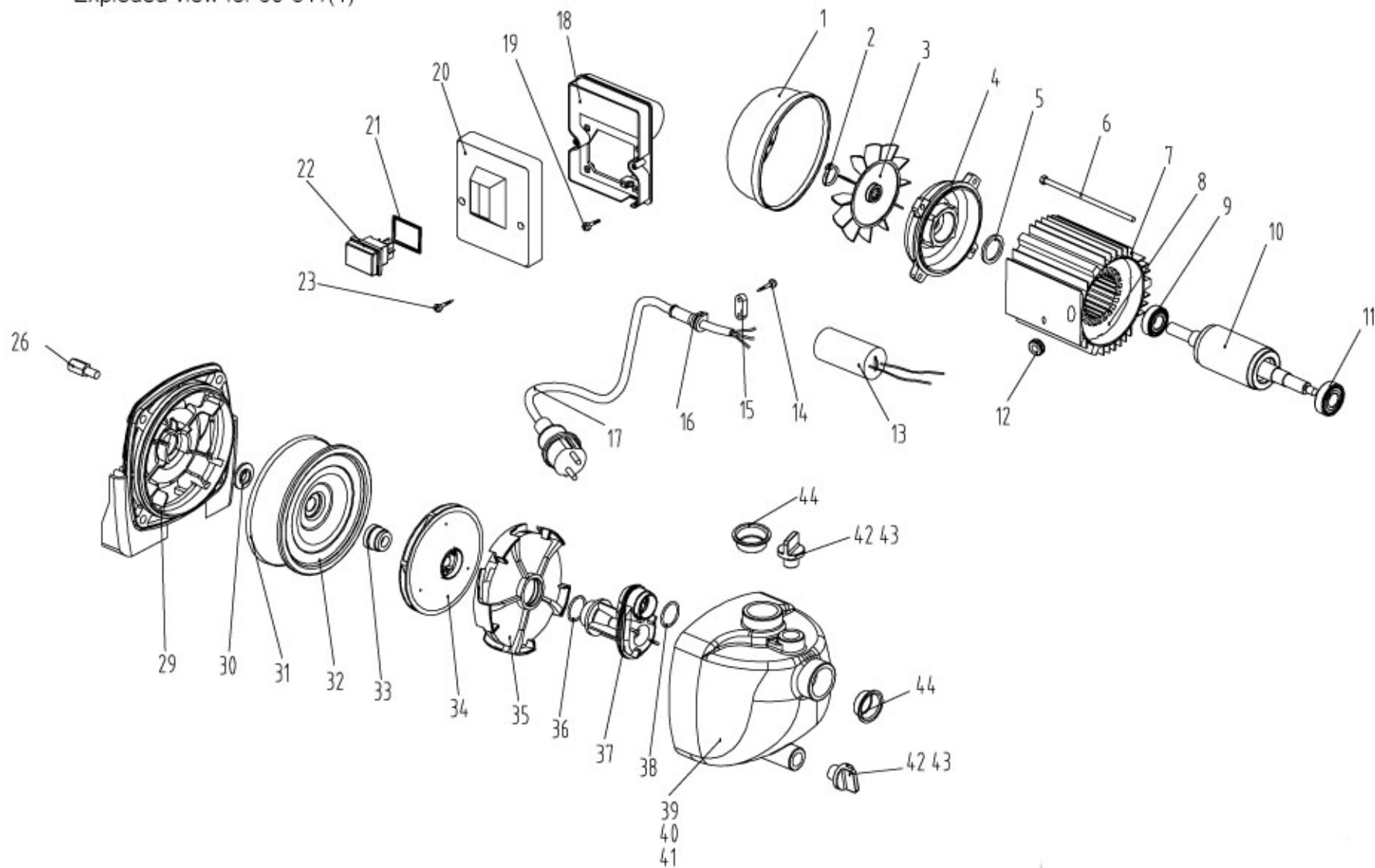
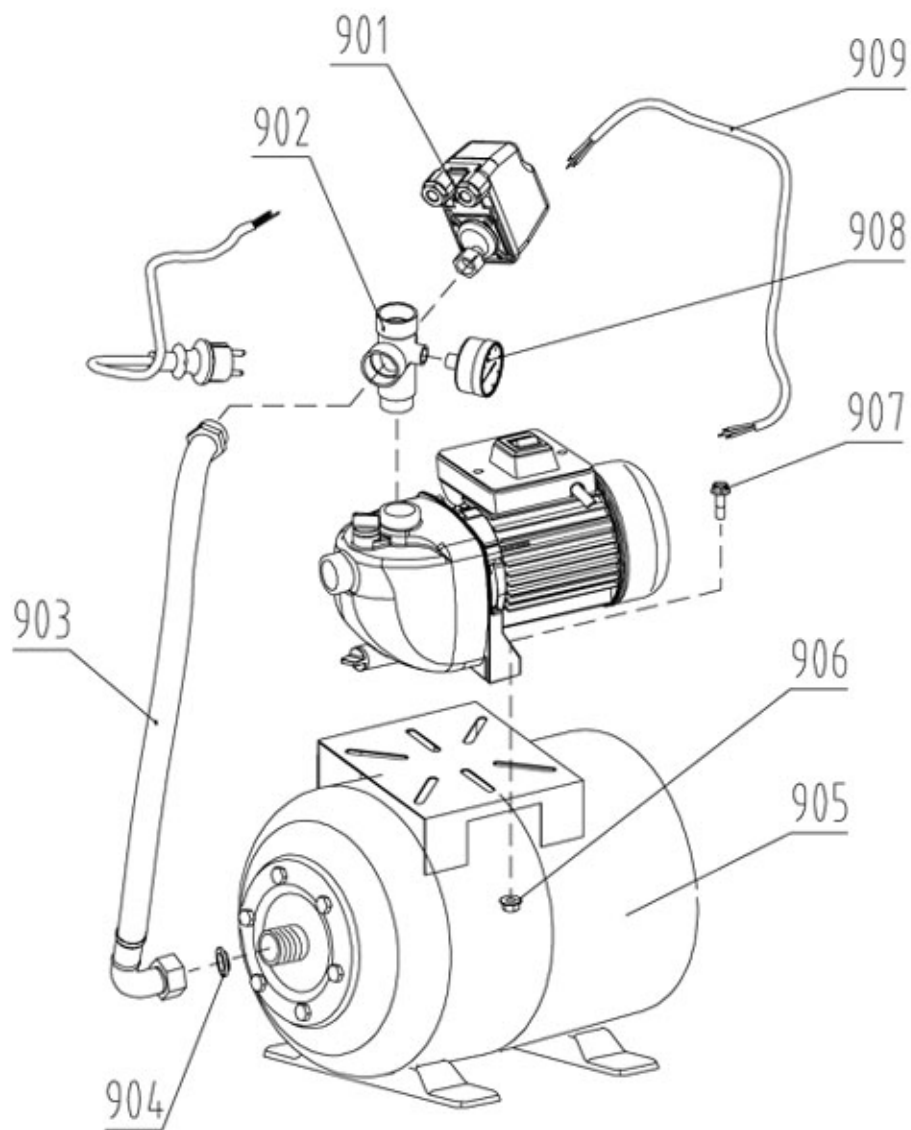


Exploded view for 60-511(1)



Exploded view for 60-511(2)



### 60-511 Spare Parts List

Pos. No.	Description	Material	Quantity	Remark
1	Cover of Fan	ST12	1	
2	Steel Ring		1	
3	Fan	PA	1	
4	Rear Cover	YL104	1	
5	Wave Washer	65Mn	1	d23xD31.5xH2.5
6	Bolt		4	
7	Aluminium Housing	Aluminium	1	
8	Stator		1	
9	Ball Bearing		1	
10	Armature		1	100
11	Ball Bearing		1	
12	Wire Sleeve	NBR	1	
13	Capacitor 20uF		1	
14	Tapping Screw		2	
15	Cable Clamp	PA-GF30	1	
16	Cable Sleeve	TPR	1	
17	Cable		1	VDE Plug H07RN-F1.0mm <sup>2</sup> *1.2m
18	Wiring Box	ABS	1	
19	Screw		4	
20	Cover of Wiring Box	ABS	1	
21	Seal Ring	NR	1	
22	Waterproof Switch		1	12(6)A 250W
23	Tapping Screw		2	Delta
26	Screw		4	
29	Front Cover	YL104	1	
30	Water Throwing Ring	NBR	1	
31	"O" Ring	Special Rubber	1	135x3.50mm
32	Seal Plate	304	1	
33	Mechanical Seal		1	
34	Impeller	PPO-GF20	1	
35	Flow-direction Plate	PPO-GF20	1	
36	"O" Ring	NBR	1	26.5x2.65mm
37	Flow-direction Tube		1	Internal Diameter 12.5mm
38	"O" Ring	Special Rubber	1	26.5x3
39	Head of Pump	PP-GF30	1	G1"
40	Ring	ST12	1	
41	Lining Bar	PP-GF20	4	
42	Vavle Cover	PA-GF30	2	
43	"O" Ring	NBR	2	13x3.55mm
44	Dustproof Cover	PE	2	
901	Mechanical Pressure Switch		1	
902	Five Direction Connector	ZCuZn38	1	
903	Soft Metal Tube		1	
904	Seal Washer	NBR	1	d20xD30.5xH3
905	Tank Set		1	Steel Flange+Steel Tank+Plastic Base+Plastic Stand
906	Bolt		2	
907	Nut		2	
908	Pressure Meter		1	
909	Cable		1	H07RN-F3G1.0mm <sup>2</sup> *0.925m